

— NOWY STYL GROUP® —

-forum-
seating®

ABACUS

Designed by: Rebecca Stewart

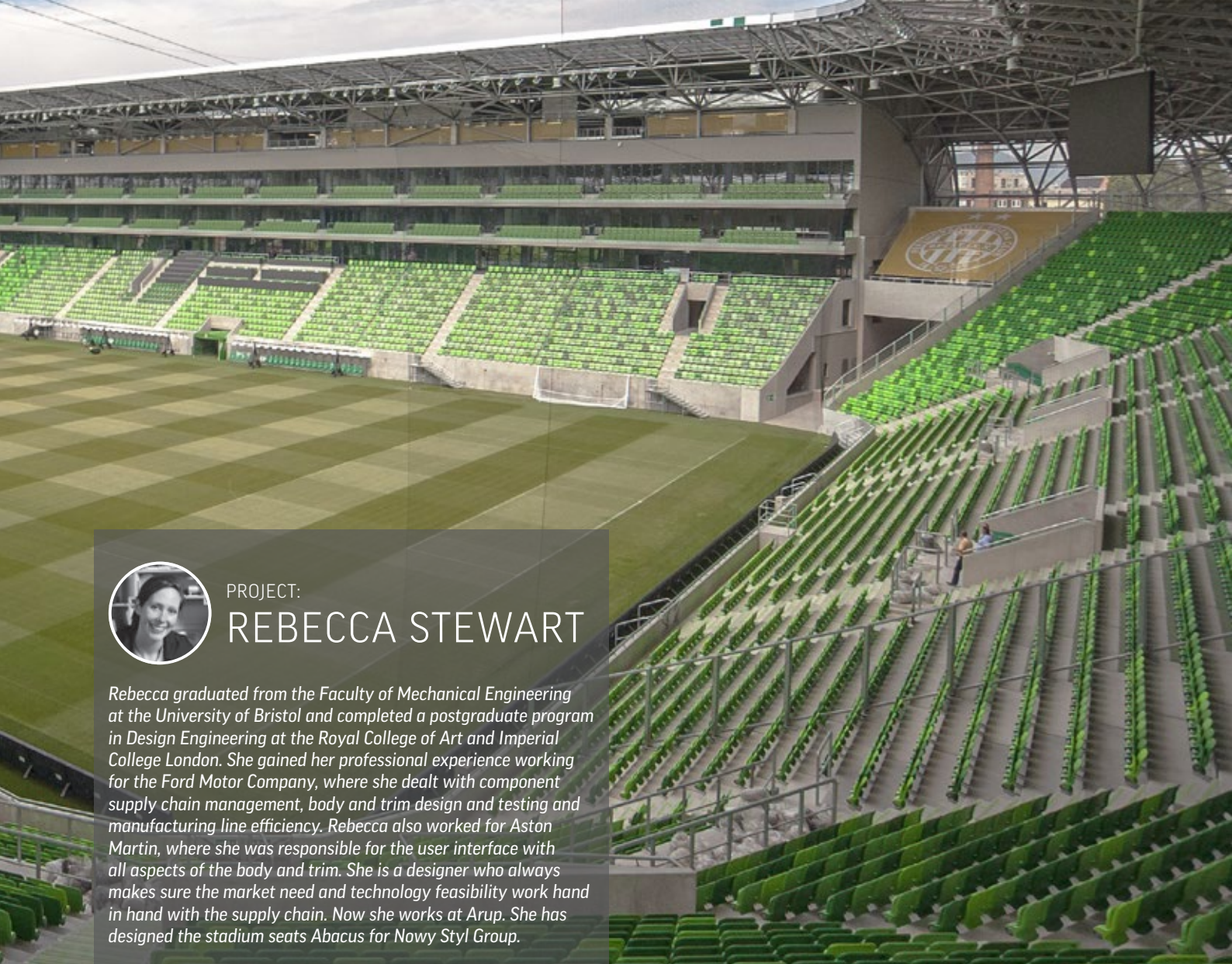


**SPORTS
CENTRES**



STADIUM DESIGN

Simple, modern design and exceptional ergonomic properties are the key advantages of the Abacus chair. This model, designed by Rebecca Stewart in the internationally recognised architectural studio Arup, is one of the most compact models in the Forum Seating's offer. It has been awarded a very prestigious prize: the FX Award that is given for international design excellence.



PROJECT:
REBECCA STEWART

Rebecca graduated from the Faculty of Mechanical Engineering at the University of Bristol and completed a postgraduate program in Design Engineering at the Royal College of Art and Imperial College London. She gained her professional experience working for the Ford Motor Company, where she dealt with component supply chain management, body and trim design and testing and manufacturing line efficiency. Rebecca also worked for Aston Martin, where she was responsible for the user interface with all aspects of the body and trim. She is a designer who always makes sure the market need and technology feasibility work hand in hand with the supply chain. Now she works at Arup. She has designed the stadium seats Abacus for Nowy Styl Group.



The Abacus chairs are made of through-dyed polypropylene to guarantee uniformity of colour throughout the entire product. The lack of metal elements makes the Abacus chairs perfect products that can be successfully used in all weather conditions. Thanks to a gravitational mechanism, the seat can be automatically folded and the distance between rows is wide enough. The folded chair occupies a small place.

The Abacus line is resistant to different mechanical damages, as confirmed by durability tests. The chair is available in a few versions, thanks to which it is possible to arrange not only stadium tribunes, but also VIP sections and press seats.



ABACUS BRONZE

The seat and backrest are made of through-dyed polypropylene, thanks to which the colours are more intensive and do not fade in different weather conditions. This applies to the whole range of available colours and has been confirmed by tests. The chairs are durable and can be used for many years.



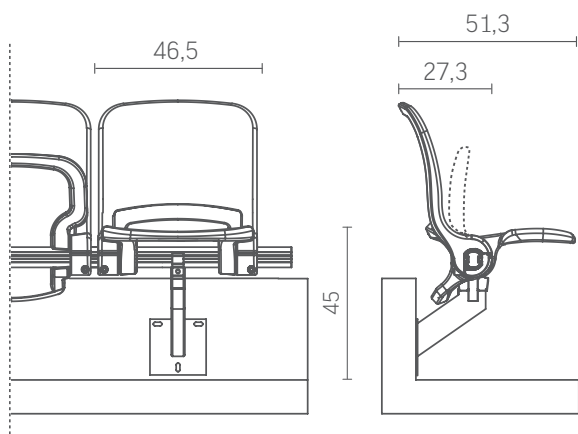
ABACUS SILVER

The Abacus Silver chair has all the advantages of the basic model. Additionally, to increase the user's comfort, both the backrest and seat have been equipped with upholstered pads filled with foam.

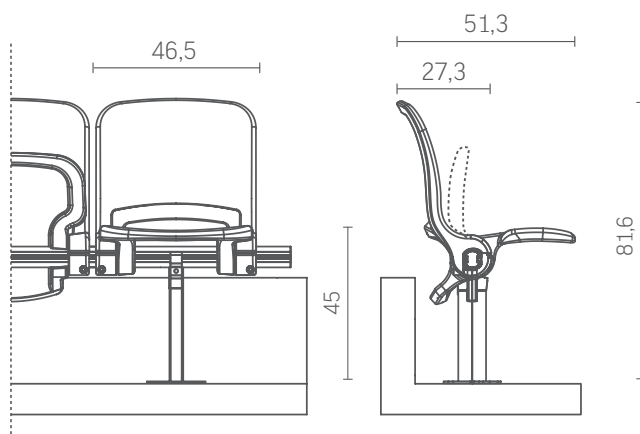


DIMENSIONS*:

Abacus Bronze / Silver Type B



Abacus Bronze / Silver Type C



* All dimensions are in centimetres.

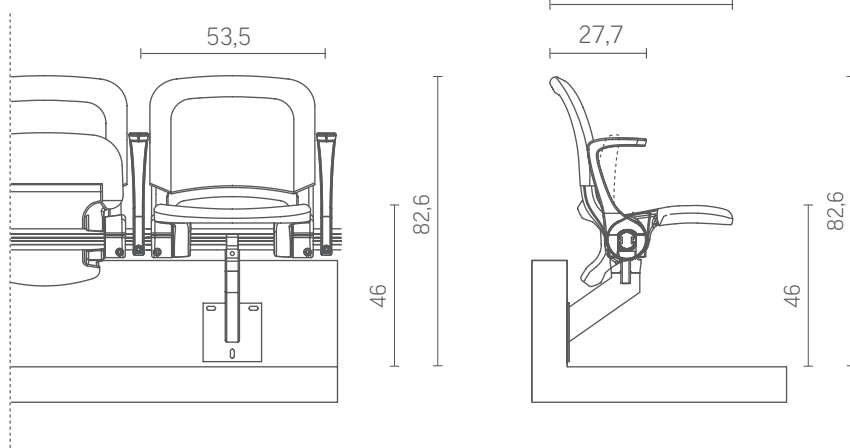
ABACUS GOLD

This model has been designed to meet the needs of the most demanding users. The seat and the backrest have special covers made of weather-resistant leatherette and filled with a thick foam layer. This solution increases the user's comfort and has a positive influence on the aesthetics of the space.

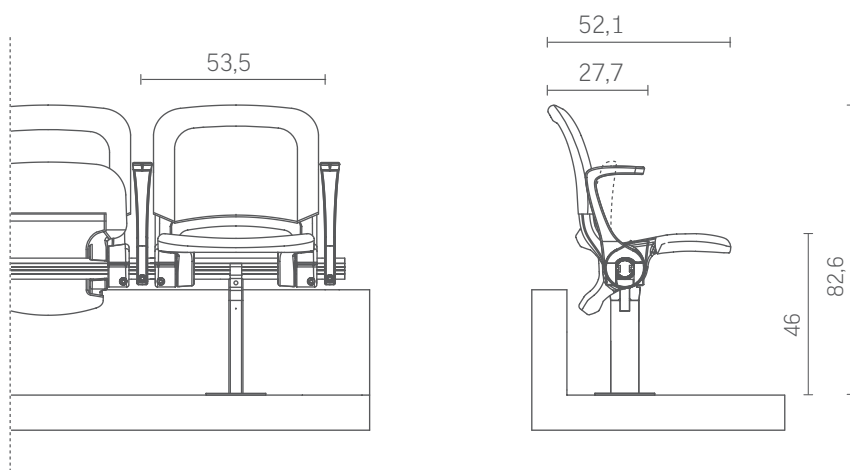
Abacus Gold is a highly durable and top quality chair. It can be equipped with a two-stage ventilation system, which channels air through the perforated upholstery. Thanks to this solution, it is possible to use the chair comfortably, even on hot days.

DIMENSIONS*:

Abacus Gold Type B



Abacus Gold Type C

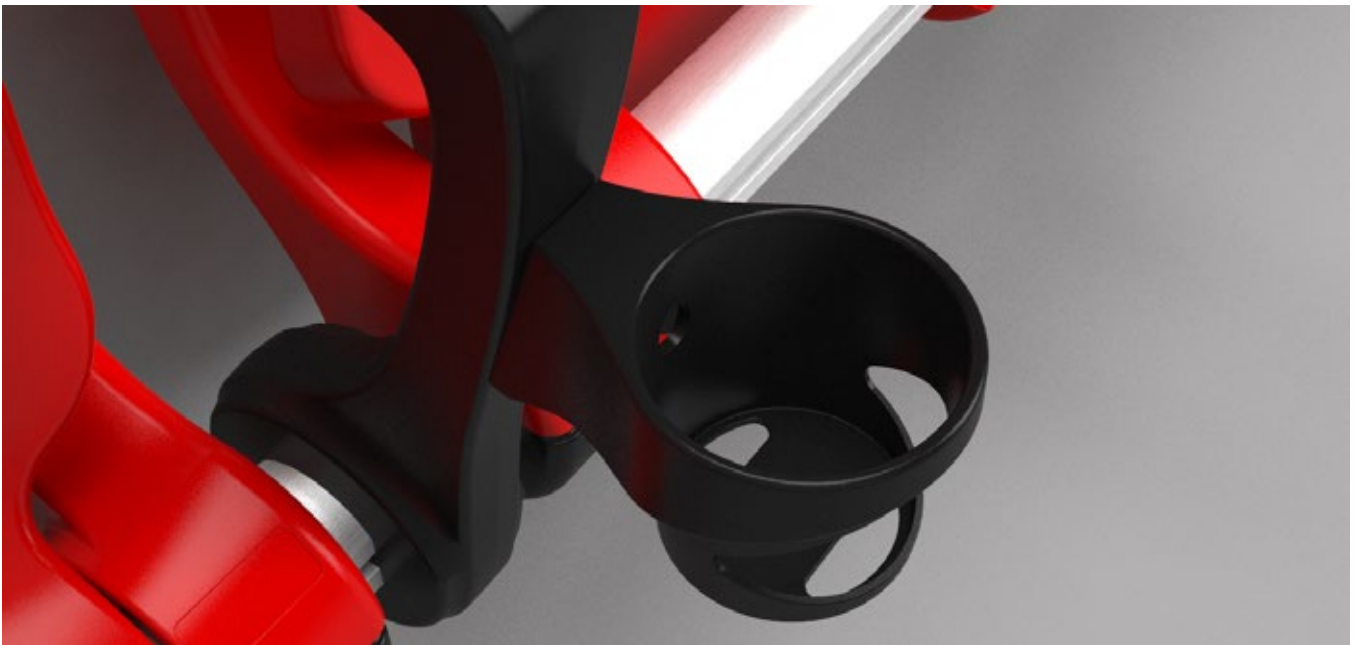
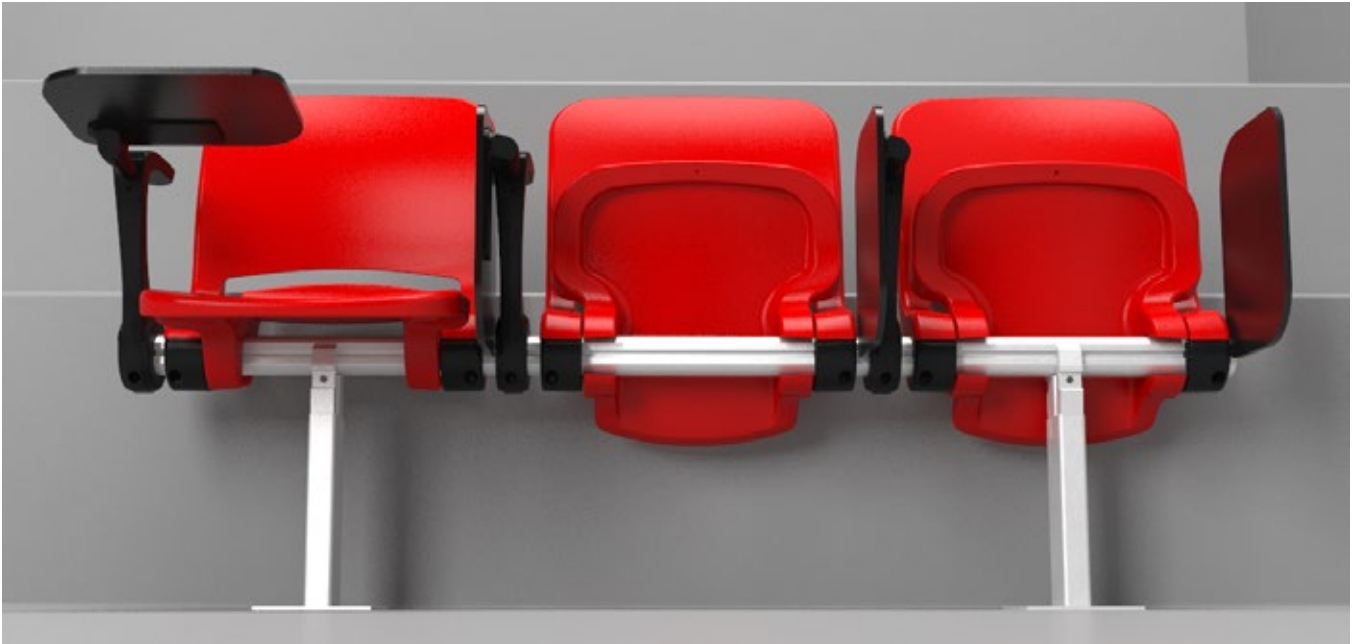


CHARACTERISTIC FEATURES AND AVAILABLE OPTIONS:

- The chairs are mounted on a beam fixed to a floor or a step riser. They can be assembled in a curve with a radius of 15 m.
- The products from this line can be equipped with a seat heating system.
- Armrests made of polyamide with fibreglass are additional options.
- The chairs can be equipped with a cup holder fixed to the armrest.
- Plates with seat numbers are weather-resistant and fixed permanently to the chair.
- There is a possibility of fixing desktops for press to the chairs. They are made of HPL - a material characterised by excellent durability parameters.
- We also offer additional stadium equipment: railings, desktops for press, VIP armchairs, and armchairs fixed to players' benches.

* All dimensions are in centimetres.





CERTIFIED PRODUCTION:

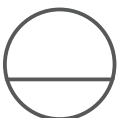
We manufacture products at a global level. Our chairs are characterised by top quality and the highest durability. In all of our production plants we have implemented the best quality management system:

ISO 9001:2000. At the same time, we take care of the natural environment. We use the environmental management systems created according to the **ISO 14001** standard in the majority of our factories. This enables

us to minimise our impact on the natural environment and confirms that our products contain no heavy metals.

ASSEMBLY OPTIONS:

Floor type:



Flat

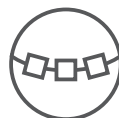


Stairs

Armchair arrangement:

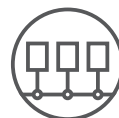


In a straight line



In a curve

Assembly types:



TYPE C
to the floor



TYPE B
to the step
riser

